

FEDERAL SUPPLY CLASS  
4730

REV.  
E

AS1376™

RATIONALE

BEAM SEAL FITTINGS TABLE 4, REVISED (ADDED) "B" CHAMFER DIMENSIONS ON CENTER BODY FOR SIZES 04 THROUGH 08 (PREVIOUSLY NOT REQUIRED) TO PROVIDE IMPROVED CLEARANCE FITS IN LIMITED SPACED AREA APPLICATIONS SUCH AS MILITARY AIRCRAFT ENGINE APPLICATIONS.

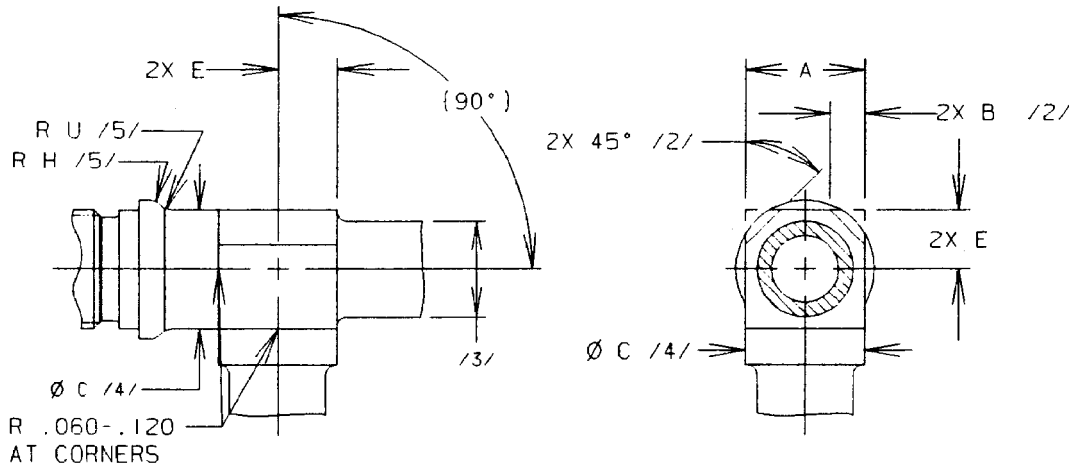


FIGURE 1 – TEE /6/

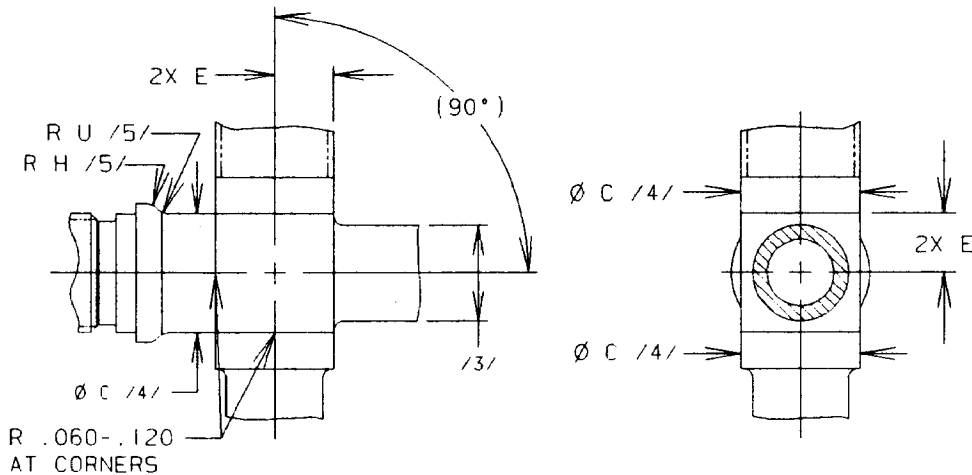
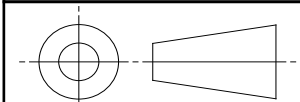


FIGURE 2 – CROSS /6/

SAE values your input. To provide feedback on this Technical Report, please visit [HTTP://STANDARDS.SAE.ORG/AS1376E](http://standards.sae.org/AS1376E)

THIRD ANGLE PROJECTION



SAE Technical Standards Board Rules provide that: "This report is published by SAE to advance the state of technical and engineering sciences. The use of this report is entirely voluntary, and its applicability and suitability for any particular use, including any patent infringement arising therefrom, is the sole responsibility of the user." SAE reviews each technical report at least every five years at which time it may be revised, reaffirmed, stabilized, or cancelled. SAE invites your written comments and suggestions.

ISSUED 1977-01 REAFFIRMED 2013-01 REVISED 2018-02

CUSTODIAN: G-3/G-3B

PROCUREMENT SPECIFICATION: NONE



**AEROSPACE STANDARD**

(R) ALTERNATE DIMENSIONS, CENTER BODY SECTION, SHAPE FLUID FITTING, DESIGN STANDARD

AS1376™  
SHEET 1 OF 7

REV.  
E

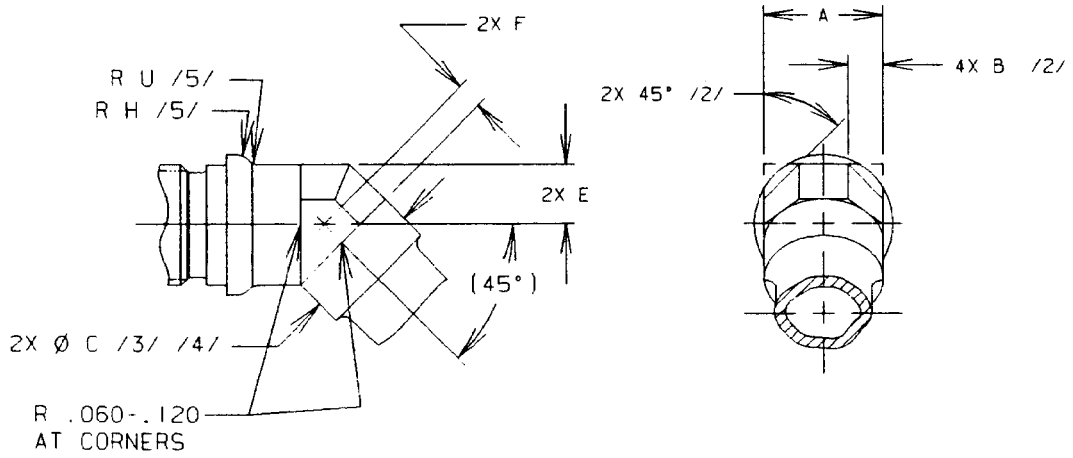


FIGURE 3 – ELBOW, 45° / 6/

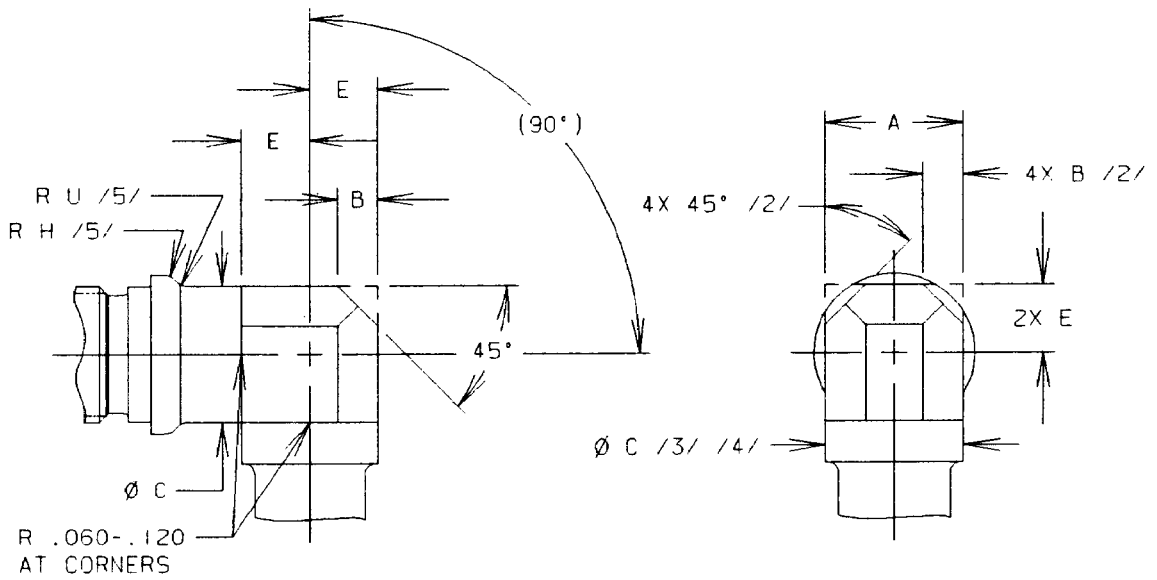


FIGURE 4 – ELBOW, 90° / 6/

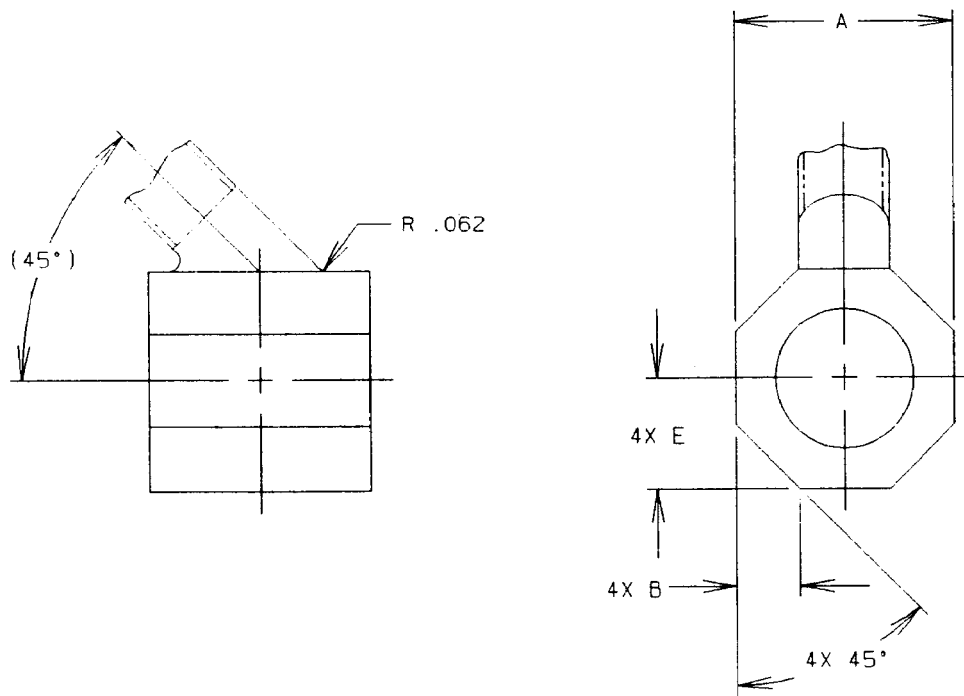


FIGURE 5 – MULTIPLE CONNECTORS AND UNIVERSAL FITTINGS /7/

TABLE 1 – STANDARD FITTING DIMENSIONS /a/

TUBE SIZE	(NOMINAL TUBE SIZE)	A /9/	B	C /9/	E ±.008	F ±.008	H	U	J /9/
02	.125	.302- .314	-	.296- .302	.156	.065	.062	.062	.312
03	.188	.365- .377	-	.359- .365	.188	.078	.062	.062	.375
04	.250	.428- .440	-	.422- .428	.219	.091	.062	.062	.438
05	.312	.490- .502	-	.484- .490	.250	.104	.094	.062	.500
06	.375	.552- .565	-	.546- .552	.281	.116	.094	.094	.562
08	.500	.740- .753	.221	.734- .740	.375	.155	.094	.094	.750
10	.625	.867- .878	.257	.861- .867	.438	.181	.094	.125	.875
12	.750	1.052-1.065	.312	1.046-1.052	.531	.220	.094	.125	1.062
14	.875	1.178-1.191	.349	1.172-1.178	.594	.246	.125	.125	1.188
16	1.000	1.302-1.317	.386	1.296-1.302	.656	.272	.125	.125	1.312
20	1.250	1.615-1.630	.478	1.609-1.615	.812	.336	.125	.188	1.625
24	1.500	1.865-1.880	.551	1.859-1.865	.938	.388	.125	.188	1.875
32	2.000	2.552-2.572	.754	2.546-2.552	1.281	.530	.125	.188	2.562

/a/ REFERENCE FITTINGS: FLARELESS: AS1003 THROUGH AS1006, AS1008 THROUGH AS1010, MS21904 THROUGH MS21909, MS21912, MS21926, NAS1761 THROUGH NAS1764. FLARELESS TO PIPE: AS893 THROUGH AS895, AS897. FLARELESS TO FLARED: MS24651, MS24652, MS24654. FLARED: AS1033 THROUGH AS1036, AS1038 THROUGH AS1040, AN804, AN824, AN827, AN833, AN834, AN837, MS24390, MS24394 THROUGH MS24396, MS29401 THROUGH MS29403. FLARED TO PIPE: MS20822, MS20823, MS20825, MS20826. FLARED AND HOSE: AN838, AN839, AN846, AN848.